

© 2023 ZERMA

# mj

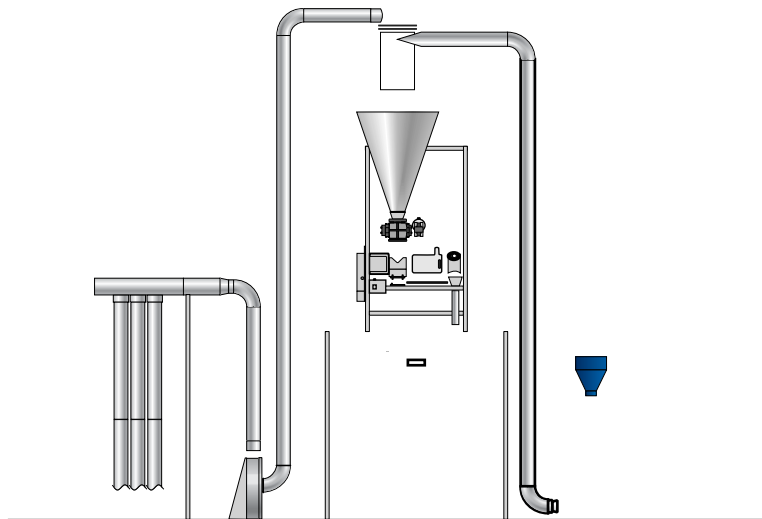
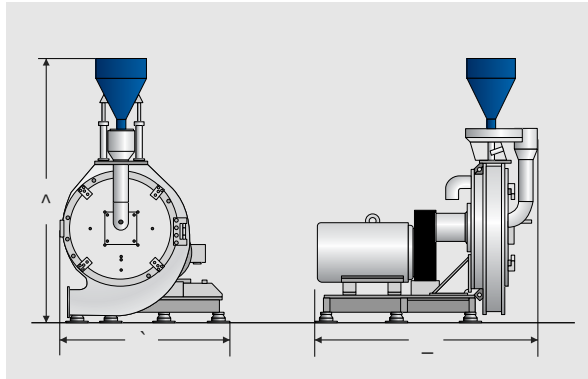


# ZERMA

© 2023 ZERMA







`a@'2~«zlp`µ'S=^~a2'c~||  
 Wb0QMA~i@a3@p'~a0@E:UQI  
 r@'~NRia~f'~||  
 ci~PPPOQ~Erp^F  
 mS~@|| H N~VRQ~VMR~RVVR  
 c~,|| H N~SMP~OUU~SQMM  
 ~@#` ] °a2~~J~(C~`~::: . . . (°a2~~J~(C~`~

k~2'S=^~a2'c~||  
 wbo j ^~k~2'S=^~a2'c~  
 OVMM~p`µ'S~NSM'S~p'2aα'l  
 ka . : \_a2'@: t f~RPNRN  
 mS~@|| H NJOSOJSQNJPVTO  
 ===== H NJUMMJVPPJOTSV  
 c~,||===== H NJOSOJSQNJUSOR  
 ~@#` ] °a2~~@~(C~`~ . . . (°a2~~@~(C~`~