

ZHS

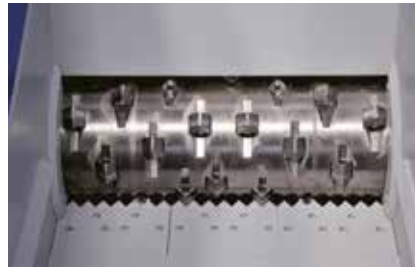
Shredders



- Large feeding hopper
- Robust welded steel construction
- Low speed operation
- Advanced rotor / knife mounting system



the large feeding hopper allows the machine to be used for a variety of materials.



The rotors are equipped with square knives, producing high quality output. The cutters can be turned after they are worn.



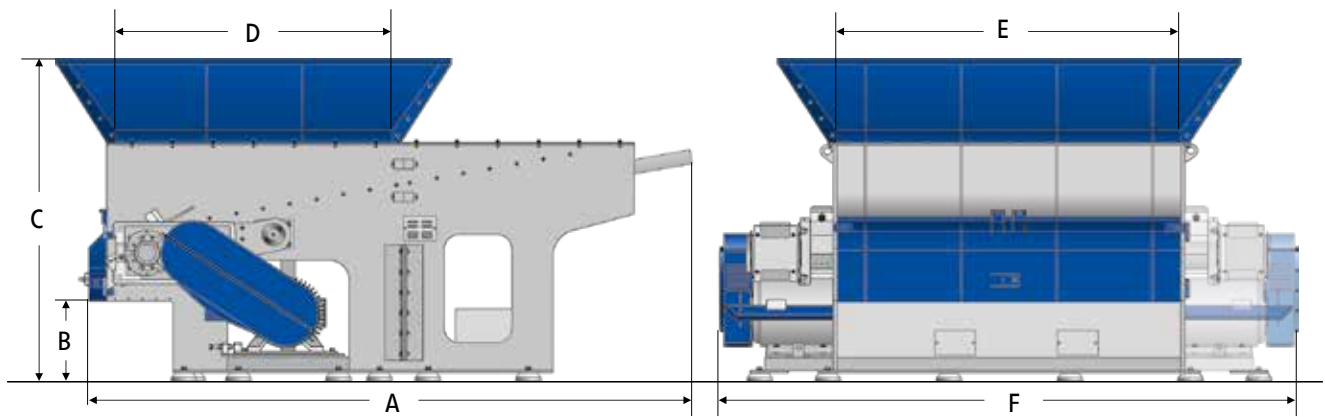
Angled hydraulic pusher to ensure optimal material feeding and ingestion.

Applications

The ZHS series of single shaft shredders are mainly used in the industry to achieve a economic recycling of plastics to wood, paper, and general waste streams. The machines have been engineered for strength and reliability in daily operation. These shredders can easily be integrated into complete lines with other ZERMA products and accessories such as belts, granulators, etc.

General Description

ZERMA ZHS shredders are single shaft shredders featuring an angled hydraulic ram suitable for a wide range of material shapes and sizes. The ZHS shredders are equipped with a ZERMA E style rotor and knife holder fixing system. The final size of the material is determined by the screen which can easily be changed based on requirements. The ZHS shredder can be tailored to individual requirements, this includes different drive powers, knife configurations as well as discharge options.



Technical Specifications

Type	850	1100	1400	1700	2000
Rotor diameter (mm)	404	404	404	404	404
Rotor width (mm)	850	1100	1400	1700	1960
Rotor speed (rpm)	100	100	104	104	104
Drive capacity (kW)	22 / 30	30 / 37	45 / 55	55 / 75	75 / 90
Rotor knives (pcs)	20 / 40	27 / 54	34 / 68	41 / 82	48 / 96
Stator blades (rows)	1	1	1 x 5	1 x 6	1 x 7
Ram feeder drive (kW)	1.5	1.5	5.5	5.5	5.5
Screen size (mm)	> 40	> 40	> 40	> 40	> 40
Cutting chamber volume (m ³)	1.25	2	3.6	4.7	5.5
Effective working area (mm)	820 x 770	1095 x 1050	1440 x 1330	1640 x 1610	1620 x 1910
Weight approx. (kg)	3000	3700	6000	7000	8500

Dimensions

Type	850	1100	1400	1700	2000
A (mm)	2690	3160	3990	4325	4205
B (mm)	455	455	455	455	455
C (mm)	2025	2135	2320	2370	2420
D (mm)	1285	1540	1885	2050	2050
E (mm)	860	1140	1420	1700	1980
F (mm)	1565	2085	2370	2730	3075

ZERMA Machinery & Recycling Technology (Shanghai) Co., Ltd

5 Xinjie Rd Xinqiao · Township Ind. Park
 201612 · Songjiang · Shanghai · China
 Phone: +86 21 57645573 · info@zerma.com



zerma.com